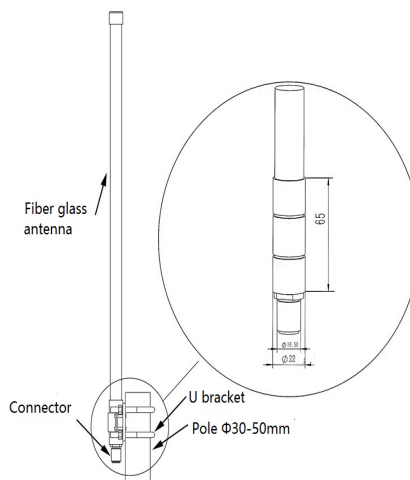


A small vertical antenna for the 433MHz (70cm) band. This is for fixed station, portable or marine use. It is rated IP67 making it fully waterproof and dustproof. With a 14MHz bandwidth with a VSWR <1.5.

The antenna can be set to any frequency between 400-480MHz.

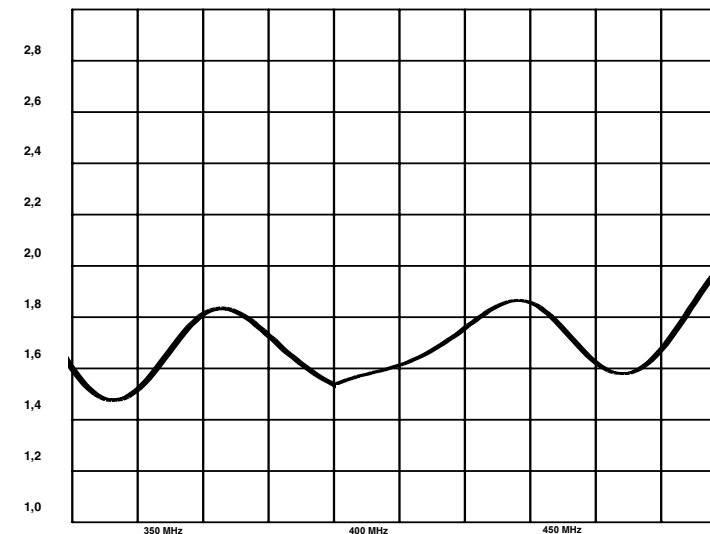
The antenna is fibre glass enclosed, is 0.4m long and weighs just 0.4Kg. All mast fittings are included.

PRODUCT OVERVIEW



CAD DRAWING

TETRA 380-500MHz



TYPICAL VSWR



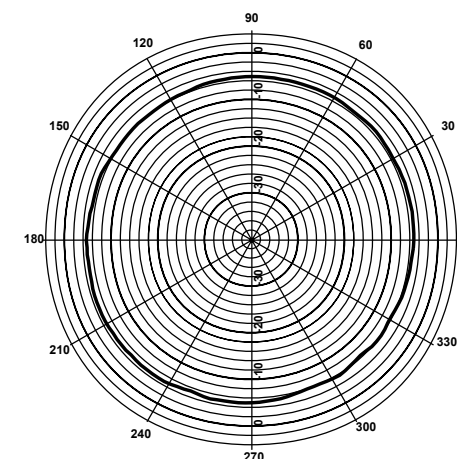
PRODUCT PICTURE

Polarisation	Vertical
Frequency / Bandwidth	400MHz - 480mhz CENTRED AT 433MHz
VSWR	<1.5:1
Impedance	50Ω
Max. Input Power	100w
Gain	3 dBi

Physical Characteristics	
Protection	IP67
Net Weight	0.4kg
Operational Temperature	-45°c to +75°c
Humidity	100% @ 25°c
Connector	N type female
Cable Type / Length	RG58 / According to customer specification
Material / Colour	ABS / Grey

TECHNICAL DATA

433MHz



RADIATION PATTERN